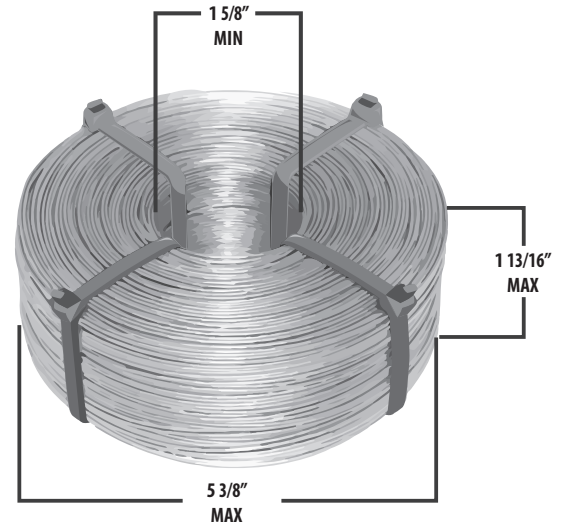


PREMIER® Lashing Wire

Stainless steel lashing wire is used to lash overhead wire or cable to a supporting strand. PREMIER offers lashing wire in a variety of types and diameters for the telecommunications, utilities, and cable TV industries.

PREMIER lashing wire is made in the USA.



Specifications

Part #	Average Tensile Strength	Type	Wire Diameter	Coil Size (Ft.)	Average Break Strength	Coils Per Box	Approximate Shipping Weight Per Box
PT-LW-038-302-C1600	102,000 PSI	302 SS	0.038"	1600'	115 lbs.	6	37 lbs
PT-LW-045-430-C1200	79,000 PSI	430 SS	0.045"	1200'	125 lbs.	6	40 lbs.
PT-LW-045-302-C1200	104,000 PSI	302 SS	0.045"	1200'	165 lbs.	6	40 lbs.
PT-LW-045-316-C1200	104,000 PSI	316 SS	0.045"	1200'	165 lbs.	6	40 lbs.
PT-LW-065-430-C450	79,000 PSI	430 SS	0.065"	450'	245 lbs.	6	32 lbs.

Chemistry

Type	C	MN	P	S	SI	CR	NI	MO
430 SS	0.12	1.00	0.04	0.03	1.00	16.00/18.00		
302 SS	0.08	2.00	0.04	0.03	1.00	18.00/20.00	8.00/10.50	
316 SS	0.08	2.00	0.04	0.03	1.00	16.00/18.00	10.00/14.00	2.00/3.00

Ask your KGPCo Customer Service Representative for more details and to place your order today. 800-755-1950