

PREMIER RG59/6 BNC CRIMP CONNECTOR KIT

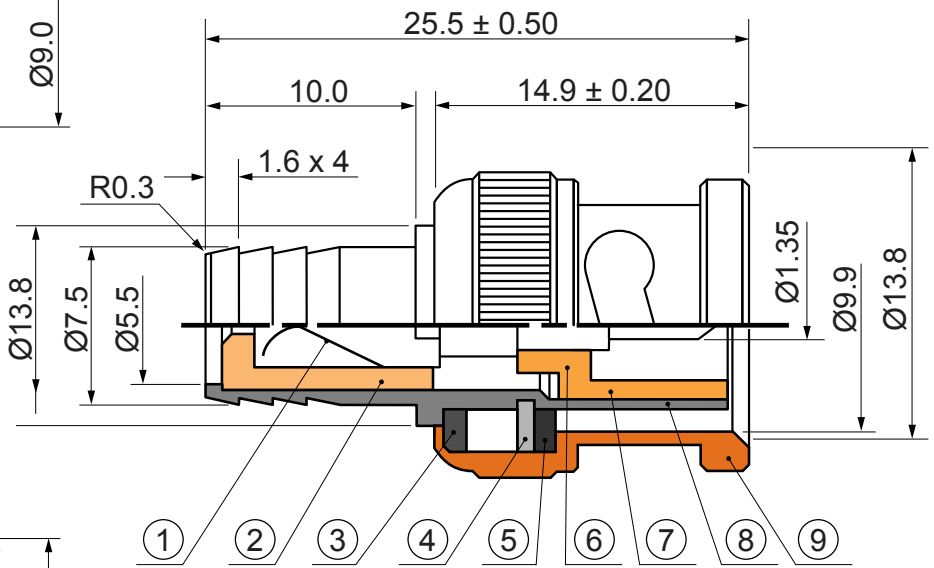
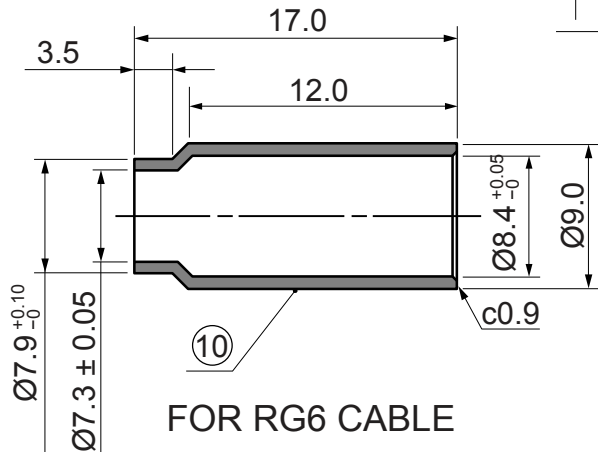
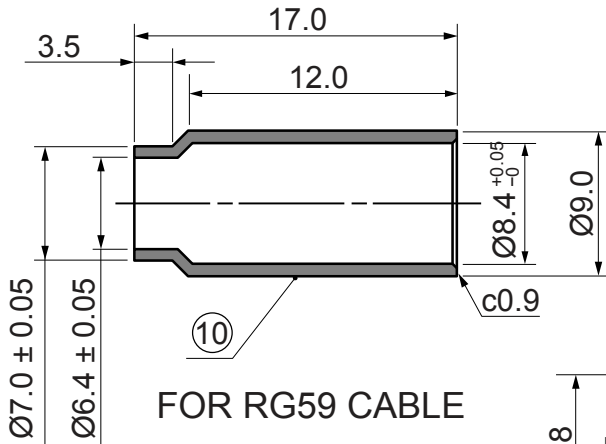
Communication products to depend on.™

PREMIER's BNC hex crimp connectors for terminating RG59 or RG6 coaxial cable.

- Includes 2 ferrules which allow for easy installation on RG59 or RG6 coaxial cable
- Designed to work with any standard hex crimping tool
- High performance BNC connector
- Bandwidth: 0 MHz to 3 GHz
- Impedance: 75 Ohms



PT-BNC-RG59/6



10	Ferrule	Zinc-alloy	Nickel
9	Shell	Zinc-alloy	Nickel
8	Body	Brass	Nickel
7	Insulator	ABS	
6	Pin	Brass	Gold
5	O-Ring	Silicon	
4	Washer 1	Iron	Nickel
3	Washer 2	Brass	Nickel
2	O-Ring	Silicon	
1	Inner Conductor	Phosphor bronze	Nickel
No.	PART	MATERIAL	PLATING

0000494875

PT-BNC-RG59/6

Hex crimp connectors for terminating RG59 or RG6 coaxial cable

Ask your KGPCo Customer Service Representative for more details and place your order today. 800-755-1950.